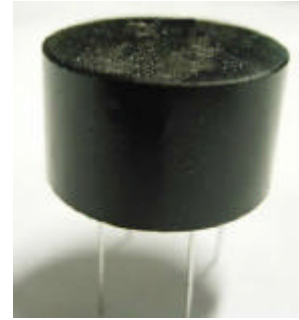


Plug-In Miniaturized Power Inductors

1. Plug-in for PC board
2. Smallest possible size.
3. Units manufactured to MIL-T-27/356 Grade 5, Glass S (except size 0 which is class V)
4. Inductance measured at 10KHz, 0.1Vrms with zero DC current.
5. Inductance tolerance is +10%/-5%
6. Units has magnetic shield.
7. Temperature rise at rated DC current is less 30°C (size 0 is less than 50°C)
8. Maximum ambient is 100°C



Electrical Characteristics:

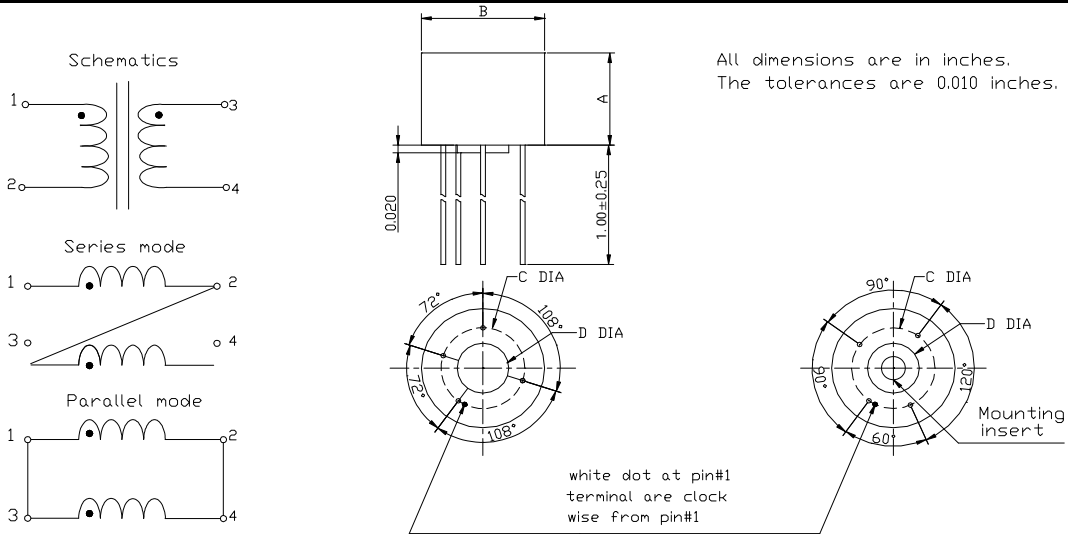
5T3871-XX	SIZE	INDUCTANCE (mH)	IDC (A)	DC RESISTANCE (OHMS)	SRF (MHz)
				N1	
01	1	20	0.06	54.0	0.275
02	2		0.10	29.0	0.207
03	3		0.14	20.0	0.230
04	4		0.22	12.4	0.210
05	5		0.29	10.2	0.180
06	1	15	0.07	40.5	0.320
07	2		0.12	22.0	0.240
08	3		0.16	15.0	0.235
09	4		0.25	9.3	0.280
10	5		0.33	7.7	0.245
11	1	10	0.08	27.0	0.380
12	2		0.14	14.6	0.390
13	3		0.20	10.0	0.340
14	4		0.31	6.2	0.290
15	5		0.40	5.1	0.300
16	1	7.5	0.10	20.3	0.450
17	2		0.17	11.0	0.430
18	3		0.24	7.5	0.390
19	4		0.38	4.7	0.350
20	5		0.49	3.8	0.340
21	1	5.0	0.12	13.5	0.600
22	2		0.21	7.3	0.490
23	3		0.30	5.0	0.550
24	4		0.47	3.1	0.460
25	5		0.60	2.6	0.410
26	1	3.0	0.16	8.10	0.710
27	2		0.27	4.40	0.650
28	3		0.38	3.00	0.570
29	4		0.60	1.90	0.600
30	5		0.78	1.50	0.550
31	1	2.0	0.19	5.4	0.950
32	2		0.33	2.9	0.850
33	3		0.47	2.0	0.800
34	4		0.74	1.3	0.700
35	5		0.95	1.0	0.650
36	1	1.0	0.27	2.7	1.300
37	2		0.47	1.5	1.200
38	3		0.66	1.0	1.100
39	4		1.00	0.62	1.050
40	5		1.30	0.50	1.000
41	1	0.750	0.31	2.00	1.550
42	2		0.54	1.00	1.400
43	3		0.76	0.75	1.400
44	4		1.20	0.47	1.200
45	5		1.60	0.38	1.150

Continued...

5T3871-XX	SIZE	INDUCTANCE (mH)	SERIES CURRENT (A)	DC RESISTANCE (OHMS)	SRF (MHz)
				SERIES	
46	1	0.500	0.380	1.30	2.100
47	2		0.66	0.66	1.900
48	3		0.93	0.50	1.600
49	4		1.47	0.31	1.500
50	5		1.90	0.25	1.450
51	1	0.250	0.53	0.66	3.000
52	2		0.93	0.33	2.500
53	3		1.30	0.25	2.400
54	4		2.08	0.16	2.100
55	5		2.70	0.13	2.010
56	1	0.100	0.78	0.30	4.000
57	2		1.35	0.17	3.900
58	3		1.95	0.11	3.500
59	4		3.08	0.07	3.300
60	5		3.88	0.06	3.200
61	1	0.040	1.18	0.141	5.000
62	2		2.03	0.07	4.500
63	3		2.68	0.60	4.500
64	0	10	0.05	75.0	0.400
65	0	7.5	0.058	56.0	0.500
66	0	5.0	0.071	38.0	0.650
67	0	3.0	0.091	22.00	0.800
68	0	2.0	0.112	18.0	1.000
69	0	0.750	0.182	6.00	1.700
70	0	0.500	0.224	5.00	2.300
71	0	0.250	0.316	1.90	3.300
72	0	0.100	0.50	0.75	4.500
73	0	0.040	0.79	0.40	5.500

Mechanical dimensions: (All dimensions are in Inches/mm in below table):

Size	Terminal Arrangement	A Max.	A Max.(Dia.)	C (Bolt circle)	D (Stand-off)	Terminal (Dia.)	Mtg. Insert
0	A	0.250/6.35	0.320/8.13	0.210/5.33	0.13/3.30	0.12/0.31	/
1	A	0.280/7.11	0.410/10.41	0.260/6.60	0.16/4.06	0.12/0.31	/
2	A	0.340/8.63	0.500/12.7	0.350/8.89	0.250/6.35	0.012/0.31	/
3	A	0.415/10.54	0.630/16.0	0.440/11.17	0.340/8.64	0.016/0.41	/
4	B	0.50/12.7	0.800/20.32	0.560/14.22	0.460/11.68	0.046/.41	/
5	B	0.65/16.51	0.950/24.13	0.670/17.0	0.570/14.48	0.020/0.51	6-32 UNC 8 Threads deep



All dimensions are in inches.
The tolerances are 0.010 inches.