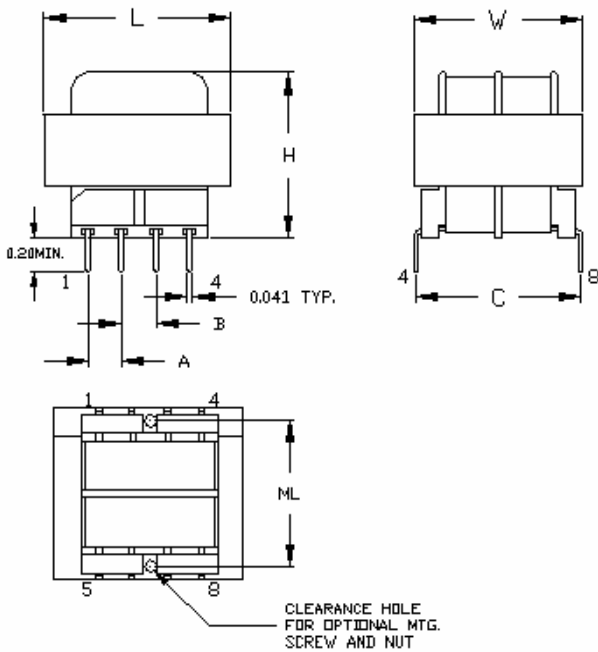


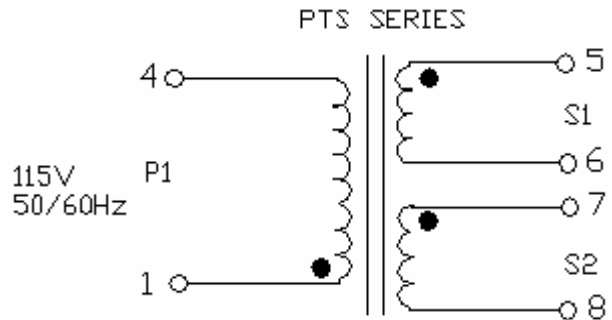
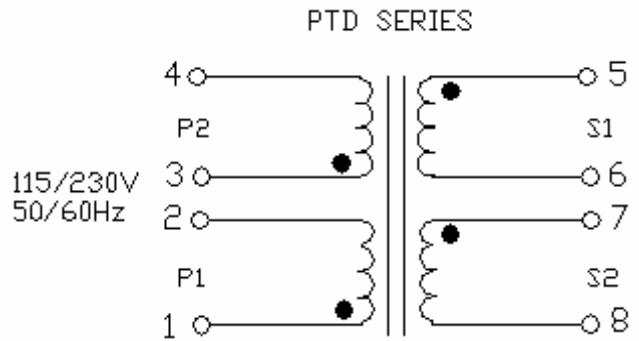
60Hz TRANSFORMERS (SPLIT BOBBIN WITH HIGH ISOLATION)

1. Power--1.1VA to 36VA
2. Dielectric Strength--2,500VRMS Hipot
3. Primaries--Single or Dual Primaries (115V or 115/230V, 50-60Hz)
4. Secondaries--Series or Parallel Secondaries
5. Electrostatic Shield--Not necessary, split bobbin construction
6. Insulation--Class B insulation (130°C)
7. Mounting Hardware--See chart

Mechanical Dimensions:



BOTTOM VIEW



SCHEMATICS

Size	VA	L	W	H	ML	A	B	C	Wt. (lbs.)
2	1.1	1.37"	1.12"	1.31"	--	.250"	.250"	1.200"	0.17
3	2.4	1.37"	1.12"	1.18"	--	.250"	.250"	1.200"	0.25
4	6	1.62"	1.31"	1.31"	1.06"	.250"	.350"	1.280"	0.44
5	12	1.87"	1.56"	1.43"	1.25"	.300"	.400"	1.410"	0.70
6	20	2.25"	1.87"	1.43"	1.30"	.300"	.400"	1.600"	0.80
7	36	2.62"	2.18"	1.56"		.400"	.400"	1.850"	1.1

Continued...

Electrical Characteristics:

PART NUMBER		SECONDARY RMS RATING		PART NUMBER		SECONDARY RMS RATING	
SINGLE 115V 6 PIN	DUAL 115/230V 8 PIN	SERIES	PARALLEL	SINGLE 115V 6 PIN	DUAL 115/230V 8 PIN	SERIES	PARALLEL
5T6232-01S	5T6232-01D	10VCT@0.11A	5V@0.22A	5T6232-31S	5T6232-31D	28VCT@0.04A	14V@0.08A
5T6232-02S	5T6232-02D	10VCT@0.25A	5V@0.5A	5T6232-32S	5T6232-32D	28VCT@0.085A	14V@0.17A
5T6232-03S	5T6232-03D	10VCT@0.6A	5V@1.2A	5T6232-33S	5T6232-33D	28VCT@0.2A	14V@0.4A
5T6232-04S	5T6232-04D	10VCT@1.2A	5V@2.4A	5T6232-34S	5T6232-34D	28VCT@0.42A	14V@0.84A
5T6232-05S	5T6232-05D	10VCT@2.0A	5V@4.0A	5T6232-35S	5T6232-35D	28VCT@0.7A	14V@1.4A
5T6232-06S	5T6232-06D	10VCT@3.6A	5V@7.2A	5T6232-36S	5T6232-36D	28VCT@1.3A	14V@2.6A
5T6232-07S	5T6232-07D	12.6VCT@0.09A	6.3V@0.18A	5T6232-37S	5T6232-37D	36VCT@0.03A	18V@0.06A
5T6232-08S	5T6232-08D	12.6VCT@0.2A	6.3A@0.4A	5T6232-38S	5T6232-38D	36VCT@0.065A	18V@0.13A
5T6232-09S	5T6232-09D	12.6VCT@0.5A	6.3A@1.0A	5T6232-39S	5T6232-39D	36VCT@0.17A	18V@0.34A
5T6232-10S	5T6232-10D	12.6VCT@1.0A	6.3A@2.0A	5T6232-40S	5T6232-40D	36VCT@0.35A	18V@0.7A
5T6232-11S	5T6232-11D	12.6VCT@1.6A	6.3A@3.2A	5T6232-41S	5T6232-41D	36VCT@0.55A	18V@1.1A
5T6232-12S	5T6232-12D	12.6VCT@2.85A	6.3A@5.7A	5T6232-42S	5T6232-42D	36VCT@1.0A	18V@2.0A
5T6232-13S	5T6232-13D	16VCT@0.07A	8V@0.14A	5T6232-43S	5T6232-43D	48VCT@0.023A	24V@0.046A
5T6232-14S	5T6232-14D	16VCT@0.15A	8V@0.3A	5T6232-44S	5T6232-44D	48VCT@0.05A	24V@0.1A
5T6232-15S	5T6232-15D	16VCT@0.4A	8V@0.8A	5T6232-45S	5T6232-45D	48VCT@0.125A	24V@0.25A
5T6232-16S	5T6232-16D	16VCT@0.8A	8V@1.6A	5T6232-46S	5T6232-46D	48VCT@0.25A	24V@0.5A
5T6232-17S	5T6232-17D	16VCT@1.25A	8V@2.5A	5T6232-47S	5T6232-47D	48VCT@0.4A	24V@0.8A
5T6232-18S	5T6232-18D	16VCT@2.25A	8V@4.5A	5T6232-48S	5T6232-48D	48VCT@0.75A	24V@1.5A
5T6232-19S	5T6232-19D	20VCT@0.055A	10V@0.11A	5T6232-49S	5T6232-49D	56VCT@0.02A	28V@0.04A
5T6232-20S	5T6232-20D	20VCT@0.12A	10V@0.24A	5T6232-50S	5T6232-50D	56VCT@0.045A	28V@0.09A
5T6232-21S	5T6232-21D	20VCT@0.3A	10V@0.6A	5T6232-51S	5T6232-51D	56VCT@0.11A	28V@0.22A
5T6232-22S	5T6232-22D	20VCT@0.6A	10V@1.2A	5T6232-52S	5T6232-52D	56VCT@0.22A	28V@0.44A
5T6232-23S	5T6232-23D	20VCT@1.0A	10V@2.0A	5T6232-53S	5T6232-53D	56VCT@0.35A	28V@0.7A
5T6232-24S	5T6232-24D	20VCT@1.8A	10V@3.6A	5T6232-54S	5T6232-54D	56VCT@0.65A	28V@1.3A
5T6232-25S	5T6232-25D	24VCT@0.045A	12V@0.09A	5T6232-55S	5T6232-55D	120VCT@0.01A	60V@0.02A
5T6232-26S	5T6232-26D	24VCT@0.1A	12V@0.2A	5T6232-56S	5T6232-56D	120VCT@0.02A	60V@0.04A
5T6232-27S	5T6232-27D	24VCT@0.25A	12V@0.5A	5T6232-57S	5T6232-57D	120VCT@0.05A	60V@0.1A
5T6232-28S	5T6232-28D	24VCT@0.5A	12V@1.0A	5T6232-58S	5T6232-58D	120VCT@0.1A	60V@0.2A
5T6232-29S	5T6232-29D	24VCT@0.8A	12V@1.6A	5T6232-59S	5T6232-59D	120VCT@0.16A	60V@0.32A
5T6232-30S	5T6232-30D	24VCT@1.5A	12V@3.0A	5T6232-60S	5T6232-60D	120VCT@0.3A	60V@0.6A