

CONSTRUCTION:

- 1.1 Transformers to be made in accordance with MIL-PRF-27E TF5V03YY.
- 1.2 All material used in this construction must be greater than 180 C
- 1.3 Lead wire to withstand Pull test of MIL-PRF-27

ELECTRICAL:

- 2.1 IR 500VDC, 10,000Mohms min.
- 2.2 DCR = (1-2) = .56 Ohms max (3-5)=.26 Ohms Max
- 2.3 I-EXCITE 121VAC 400Hz (1-2)= 32mA
- 2.4 VIN 400HZ 108-121VAC, VOUT = 36 - 48 VDC at 0.1 to 1.25ADC
ALL CONDITIONS IN INPUT FROM AIRCRAFT
- 2.5 HIPOT = 600VAC

ENVIRONMENTAL:

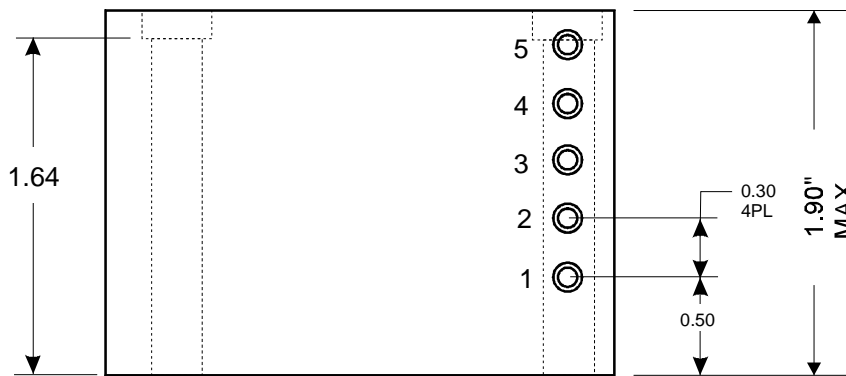
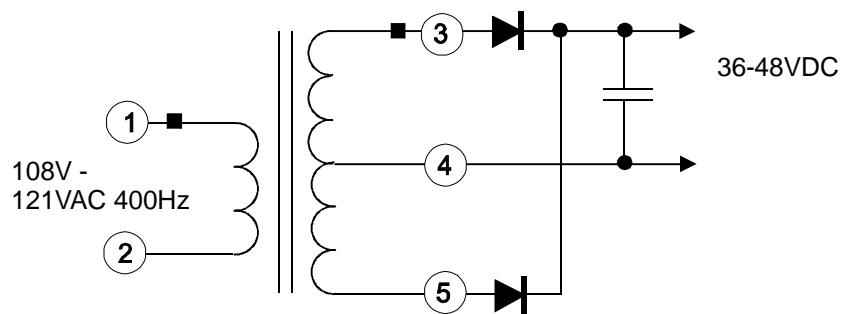
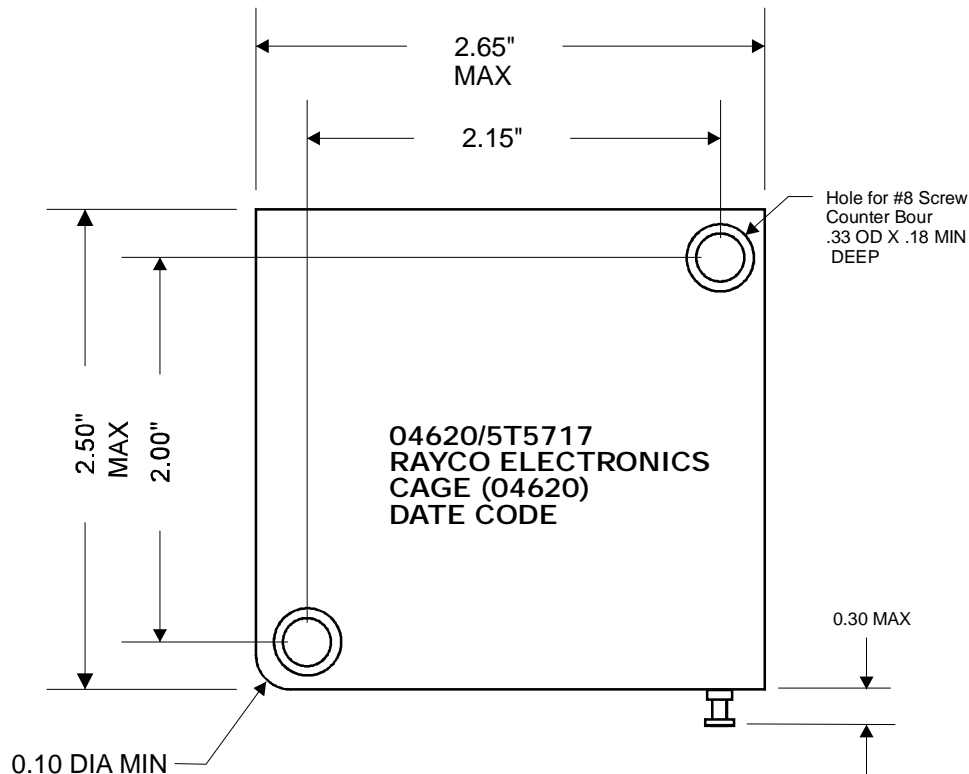
- 3.1 Must survive Vibration MIL-STD-202 MD 204G and Shock MIL-STD-202 MD213C

MECHANICAL:

- 4.1 Mark Lead numbers on lead or part body
- 4.2 Mark: RAYCO ELECTRONICS 04620/5T5717 DATE CODE on body of part in accordance with MIL-STD-130. Number marking can be on side of unit

APPROVED SOURCE OF SUPPLY

- 5.1 Rayco Electronics Mfg Inc
Cage Code (04620)
1220 W. 130th St, Gardena CA 90247



THIS DOCUMENT CONTAINS PROPRIETARY INFORMATION, AND SUCH INFORMATION MAY NOT BE DISCLOSED TO OTHERS FOR ANY PURPOSE NOR USED FOR MANUFACTURING PURPOSES WITHOUT WRITTEN PERMISSION FROM RAYCO ELECTRONICS MFG. INC..

NEXT ASSY		
TOLERANCES UNLESS OTHERWISE SPECIFIED ARE IN INCHES AND AS BELOW		
DECIMAL		
<u>.X</u>	<u>.XX</u>	<u>.XXX</u>
±0.1	±0.03	±0.010
ANGLE = ± 5°		

DATE	2/26/05
DWN	MMP
APP	MPP

RAYCO ELECTRONICS GARDENA CA 90247		
CAGE	P/N	REV
04620	5T5717	A
SCALE	UNIT WEIGHT	SH 1 OF 1