

CONSTRUCTION:

- 1.1 Transformers to be made in accordance with MIL-PRF-27E TF5V03YY.
- 1.2 All material used in this construction must be greater than 180 C
- 1.3 Lead wire to withstand Pull test of MIL-PRF-27

ELECTRICAL:

Vin :108V -120VAC 50-400Hz Vout : Full Bridge out 25VDC min any Vin condition 2ADC

2.5 HIPOT = 600VAC

ENVIRONMENTAL:

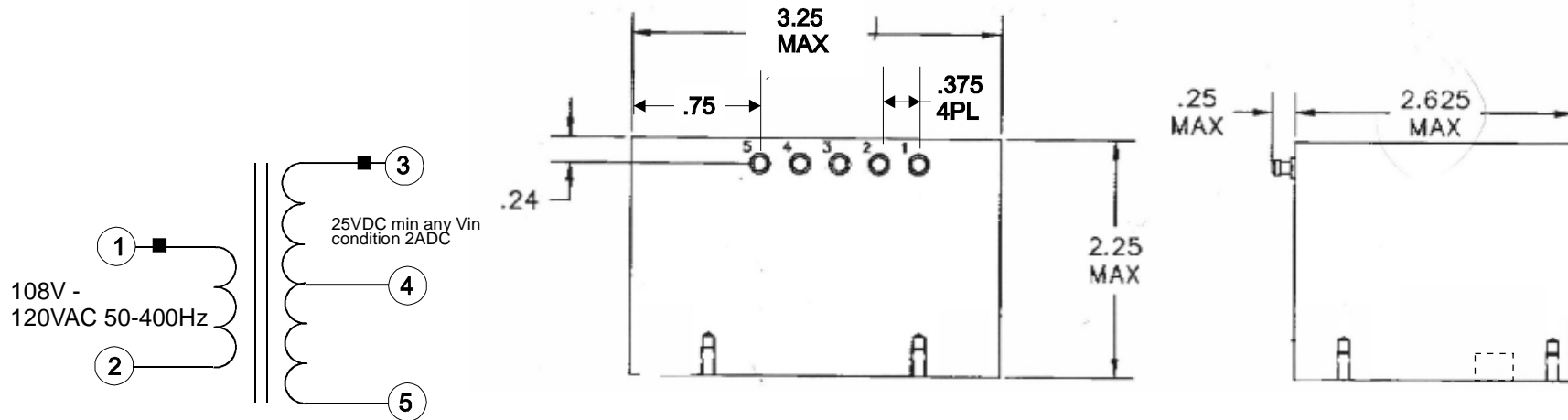
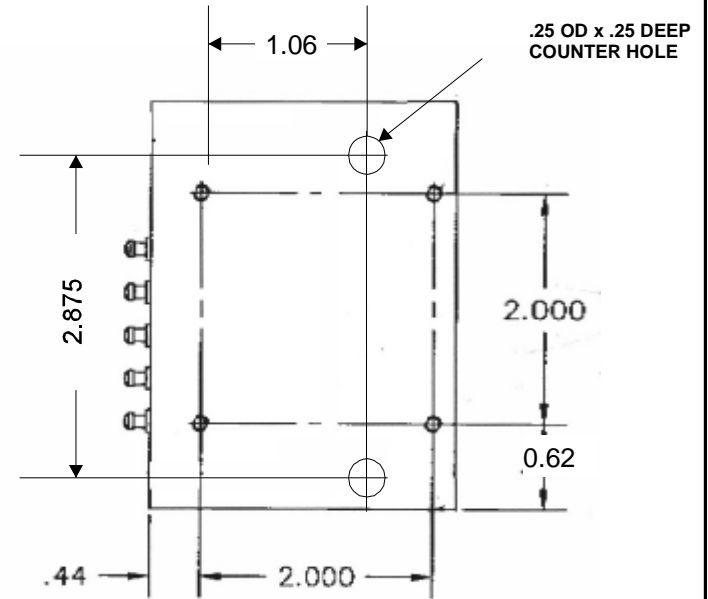
- 3.1 Unit metal frame must survive Vibration MIL-STD-202 MD 204G and Shock MIL-STD-202 MD213C. Unit undergoes heavy vibration

MECHANICAL:

- 4.1 Mark Lead numbers on lead or part body
- 4.2 Mark: RAYCO ELECTRONICS with MIL-STD-130

APPROVED SOURCE OF SUPPLY

5.1 Rayco Electronics Mfg Inc
Cage Code (04620)
1220 W. 130th St, Gardena CA 90247



THIS DOCUMENT CONTAINS PROPRIETARY INFORMATION, AND SUCH INFORMATION MAY NOT BE DISCLOSED TO OTHERS FOR ANY PURPOSE NOR USED FOR MANUFACTURING PURPOSES WITHOUT WRITTEN PERMISSION FROM RAYCO ELECTRONICS MFG. INC..

NEXT ASSY

DATE 2/26/05

RAYCO ELECTRONICS
GARDENA CA 90247

TOLERANCES
UNLESS OTHERWISE SPECIFIED
ARE IN INCHES AND AS BELOW

DWN MMP

DECIMAL
.X ±0.1
.XX ±0.03
.XXX ±0.010
ANGLE = ± 5°

APP MMP

CAGE
04620

P/N
5T3457

REV
A

SCALE

UNIT WEIGHT

SH 1 OF 1