

CONSTRUCTION:

- 1.1 Transformers to be made in accordance with MIL-PRF-27E TF5V03YY.
- 1.2 All material used in this construction must be greater than 180 C
- 1.3 Lead wire to withstand Pull test of MIL-PRF-27

ELECTRICAL:

HIPOT: 1000VAC, WDG-WDG-INSERT

INSULATION RESISTANCE: 500V 10,000KOHMS MIN

NO LOAD RATIO:

- (1-2)=108V +/- 1v 400Hz
- (3-4)= 27.00V TO 27.6V
- (4-5)= 27.00V TO 27.6V

DCR

- (1-2)= .300MAX OHM
- (3-4)= .045MAX OHM
- (4-5)= .045MAX OHM

ENVIRONMENTAL:

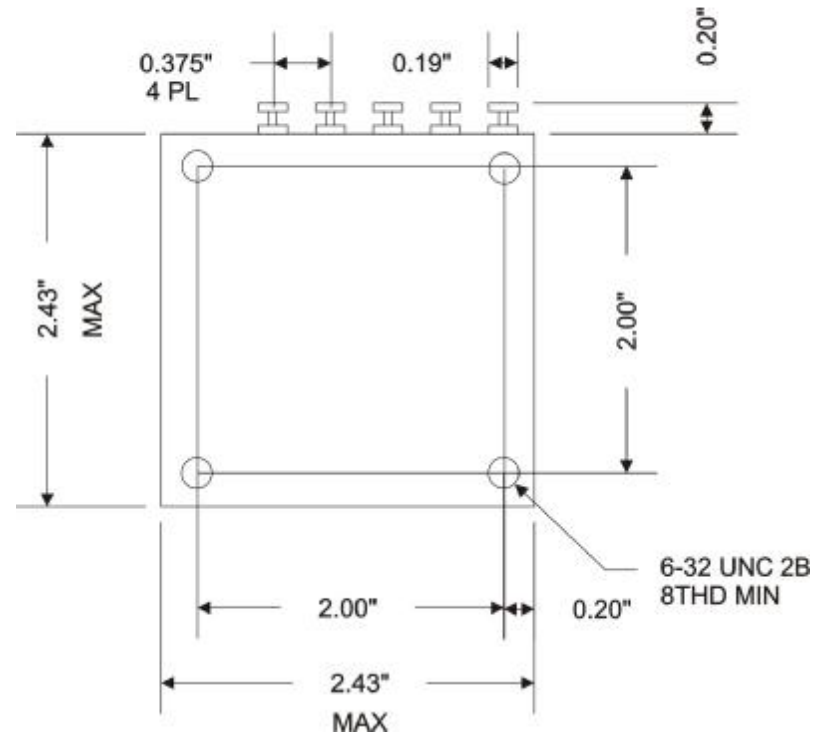
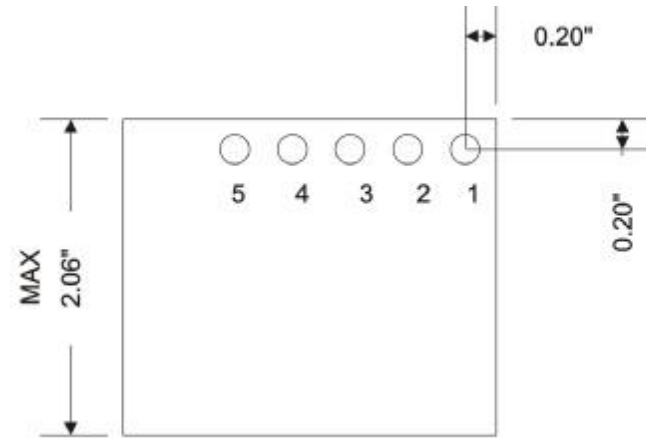
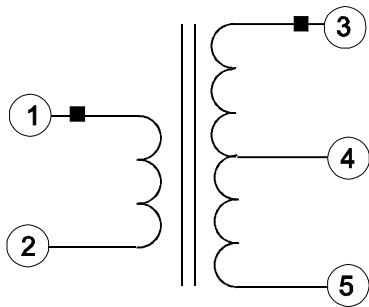
- 3.1 Must survive Vibration MIL-STD-202 MD 204G and Shock MIL-STD-202 MD213C

MECHANICAL:

- 4.1 Mark Lead numbers on lead or part body
- 4.2 Mark: RAYCO ELECTRONICS 04620/5T2971 DATE CODE on body of part in accordance with MIL-STD-130

APPROVED SOURCE OF SUPPLY

- 5.1 Rayco Electronics Mfg Inc
Cage Code (04620)
1220 W. 130th St, Gardena CA 90247



THIS DOCUMENT CONTAINS PROPRIETARY INFORMATION, AND SUCH INFORMATION MAY NOT BE DISCLOSED TO OTHERS FOR ANY PURPOSE NOR USED FOR MANUFACTURING PURPOSES WITHOUT WRITTEN PERMISSION FROM RAYCO ELECTRONICS MFG. INC..

NEXT ASSY

DATE
2/26/05

RAYCO ELECTRONICS
GARDENA CA 90247

TOLERANCES
UNLESS OTHERWISE SPECIFIED
ARE IN INCHES AND AS BELOW

DWN
MMP

DECIMAL

.X	.XX	.XXX
±0.1	±0.03	±0.010

 ANGLE = ± 5°

APP
MPP

CAGE
04620

P/N
5T2971

REV
--

SCALE

UNIT WEIGHT

SH 1 OF 1